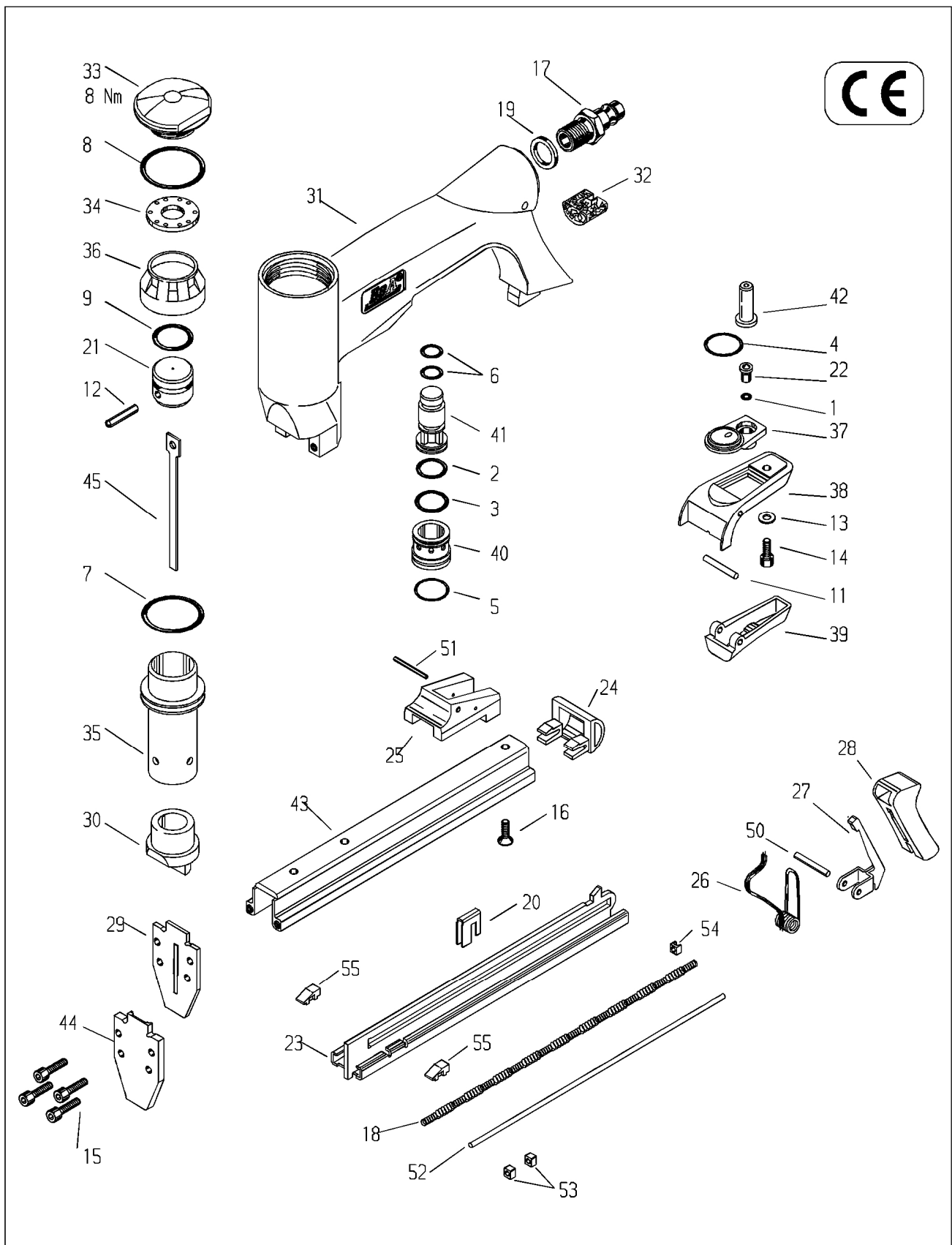


Typ  
Type

97/04-427

(Art.-Nr. 12000482; 2642701000)



|    |                                       |          |    |                                       |          |    |   |          |
|----|---------------------------------------|----------|----|---------------------------------------|----------|----|---|----------|
| 1  | O-Ring                                | 13300002 | 25 | Abdeckung<br>Cover                    | 14405787 | 39 | Auslöser<br>Trigger                           | 14403935 |
| 2  | O-ring                                | 13300011 |    |                                       |          |    |   |          |
| 3  | .....                                 | 13300013 |    |                                       |          |    |   |          |
| 4  |                                       | 13302609 |    |                                       |          | 40 | Ventilzylinder<br>Valve cylinder              | 14403936 |
| 5  |                                       | 13300054 |    |                                       |          |    |   |          |
| 6  |                                       | 13300073 | 26 | Schenkelfeder<br>Leg spring           | 14403913 |    |   |          |
| 7  |                                       | 13300081 |    |                                       |          | 41 | Ventilschaft<br>Valve shaft                   | 14403937 |
| 8  |                                       | 13300083 |    |                                       |          |    |   |          |
| 9  |                                       | 13300158 |    |                                       |          |    |   |          |
| 11 | Lagernadel                            | 13300182 | 27 | Sperrklinke<br>Locking pawl           | 14403915 | 42 | Zwischenhülse<br>Cylinder, intermediate valve | 14403938 |
| 12 | Pin                                   | 13300186 |    |                                       |          |    |   |          |
| 13 | Scheibe<br>Disc                       | 13300479 | 28 | Klinkenabdeckung<br>Cover             | 14403916 | 43 | Abdeckschiene<br>Cover                        | 14405381 |
| 14 | Zylinderschraube                      | 13301103 | 29 | Werkzeug Teil 2<br>Back nose          | 14407035 | 44 | Werkzeug Teil 1<br>Front nose                 | 14407036 |
| 15 | Allen bolt                            | 13302683 |    |                                       |          | 45 | Treiber<br>Driver blade                       | 14405379 |
| 16 | Senkschraube<br>Countersunk bolt      | 13302684 | 30 | Puffer<br>Bumper                      | 14403923 | 50 | Sperrklinkenachse<br>Locking pawl pin         | 14405330 |
| 17 | Anschlußsnippel<br>Air hose connector | 14000244 | 31 | Gehäuse<br>Body                       | 14404862 | 51 | Sperrklinkenanschlag<br>Locking pawl stop     | 14405818 |
| 18 | Druckfeder<br>Pressure spring         | 14404040 | 32 | Schalldämpfer<br>Silencer Titumik     | 14403927 | 52 | Federführungsstange<br>Spring guide shaft     | 14403810 |
| 19 | Dichtscheibe<br>Gasket                | 14400063 | 33 | Kappe<br>Cap                          | 14404863 | 53 | Federabstützung                               | 14403811 |
| 20 | Schubkasten<br>Feeder bar             | 14407037 |    |                                       |          | 54 | Spring support                                | 14405392 |
| 21 | Kolben<br>Piston                      | 14403712 |    |                                       |          | 55 | Anschlag<br>Stop                              | 14405768 |
| 22 | Schaltstift<br>Valve pin              | 14403738 | 34 | Dämpfer<br>Damper                     | 14403930 |    |   |          |
| 23 | Unterschieber<br>Back nose assembly   | 14405384 |    |                                       |          |    |   |          |
| 24 | Abschlußstück<br>End piece            | 14403908 | 35 | Zylinder<br>Cylinder                  | 14403931 |    |   |          |
|    |                                       |          | 36 | Zylinderabstützung<br>Cylinder spacer | 14403932 |    |   |          |
|    |                                       |          | 37 | Ventildichtung<br>Valve gasket        | 14403933 |    |   |          |
|    |                                       |          | 38 | Ventilabdeckung<br>Valve cap          | 14403934 |    |   |          |