

Pallet assembly table

Universal pallet assembly table substitutes several types (EUR, CP, etc) of templates for hand manufacturing 2- and 4-way entry pallets, both block and stringer.

Model HS 1800

- max pallet dimensions 1800 x 1300 mm
- 3 support with pneumatic clamps for elements positioning and 2 simply supports for legs 2-way entry

Model HS 2200 (available in lengths 2700, 3200)

- max pallet dimensions 2200 x 1500 mm
- 5 support with pneumatic clamps for elements positioning
- adjustable angular position of the three positions of the table

Advantages:

- requires 1 person to operate
- fast adjusting
- pneumatic push-out system for easy pallet extraction with hand or foot-operated (optional)
- top linear guides with carriages for convenient installation of nailers on spring balancers

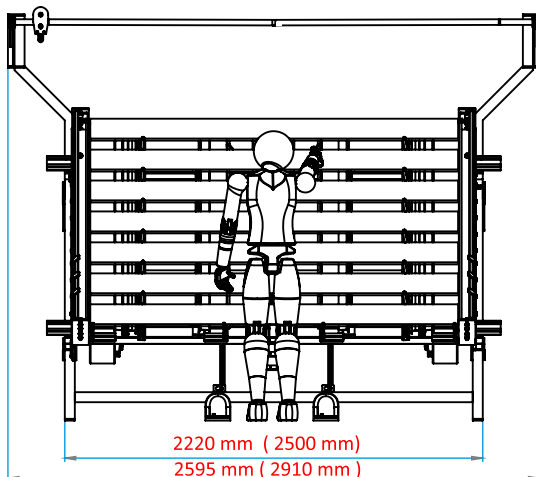
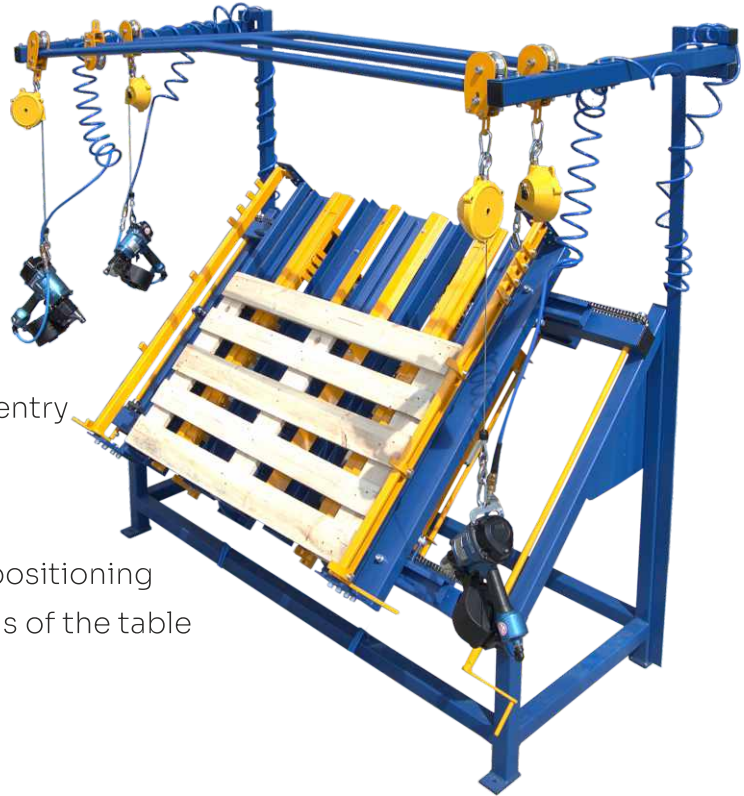
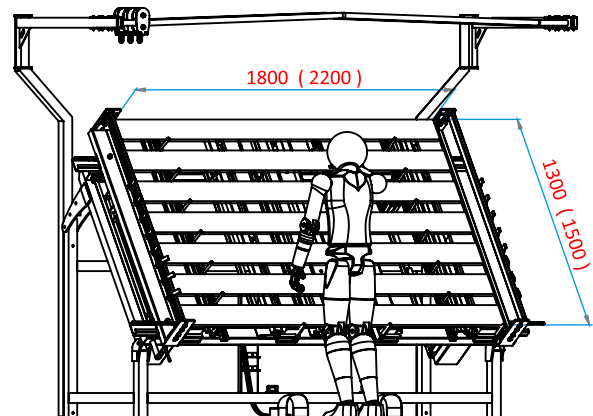
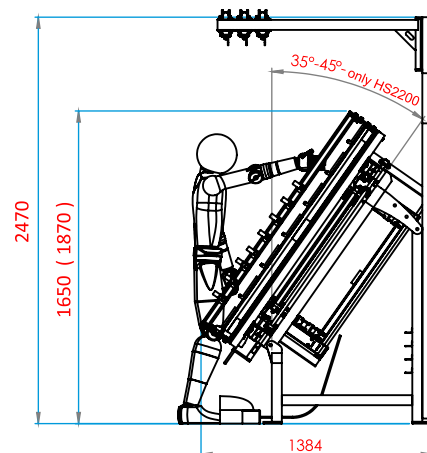
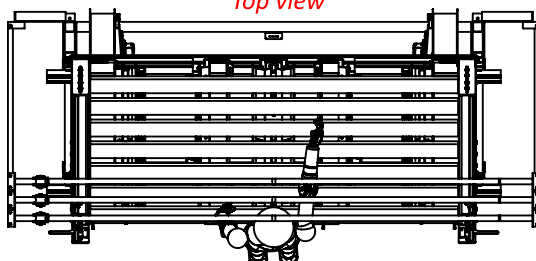


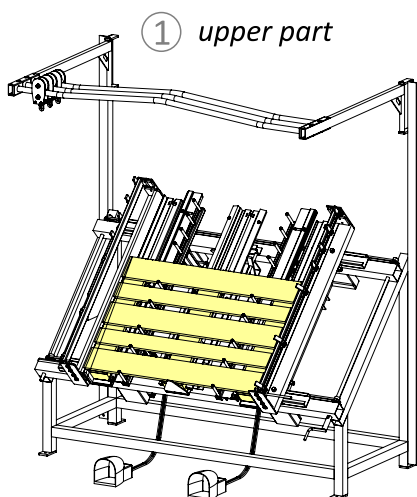
Table dimensions in mm
in brackets dimensions for the HS 2200 model



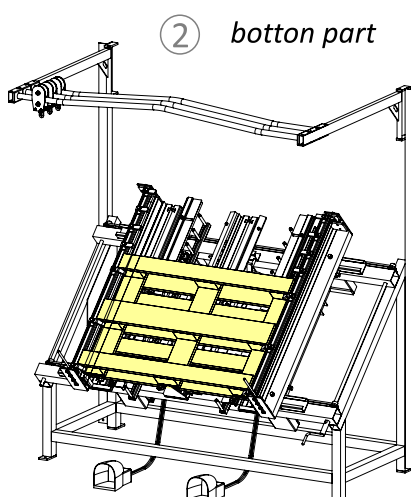
Top view



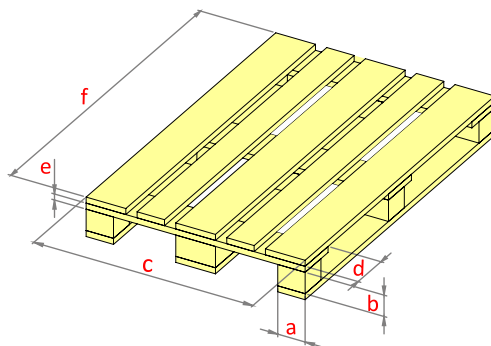
ASSEMBLY OF PALLETS type EUR



① upper part



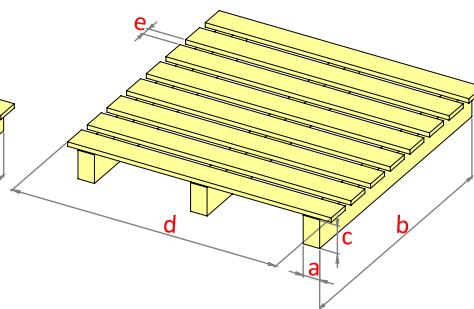
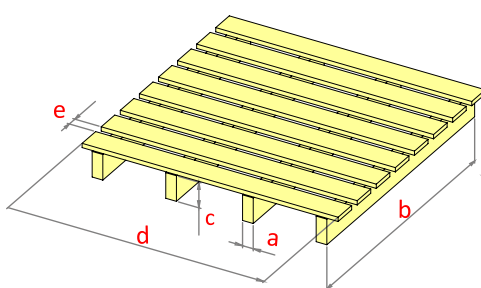
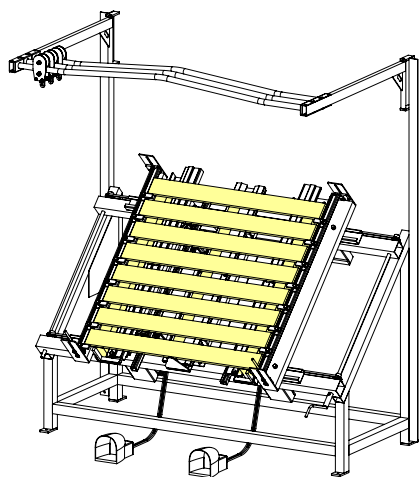
② bottom part



Dimensions of assembled elements:

Table type:	HS 1800	HS 2200
a	65 - 140 mm	
b	70 - 110 mm	
c	max 1300 mm	max 1500 mm
d	65 - 140 mm	
e	15 - 27 mm	
f	800 -1800 mm	800 - 2200 mm

ASSEMBLY OF SQUARED TIMBER PALLETS (on 3 or 4 buttock lines)



Amount of boards: max. 10

Table type: HS 1800 HS 2200

a	30 - 70 mm	
b	600 - 1300 mm	600 - 1500 mm
c	75 - 110 mm	
d	800 - 1800 mm	800 - 2200 mm
e	min 16 mm	

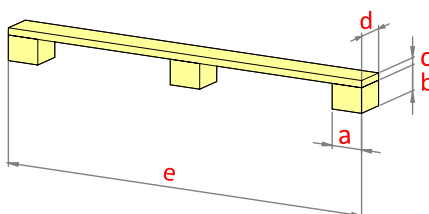
ASSEMBLY OF SEMI-FINISHED PRODUCTS (bottom boards with 2 or 3 brackets)

Accessories together on the table:
- three templates with a scale to place blocks located on the table supports.

Dimensions of assembled elements:

Table type: HS 1800 HS 2200

a	70 - 140 mm	
b	70 - 120 mm	
c	12 - 27 mm	
d	70 - 125 mm	
e	900 - 1700 mm	900 - 2100 mm



Amount on the table: max. 9



Equipped with a tool box with a set of keys to change the settings of the pallet template

w0423