

BIZON - ZD - Joint (Clamping) Nails

ZD - Joint (Clamping) nails for angular connection of wooden boards, most commonly used by coffin producers.



BIZON ZD joint nails

lengths: 39, 51, 64, 76, 88, 101, 112, 125 mm

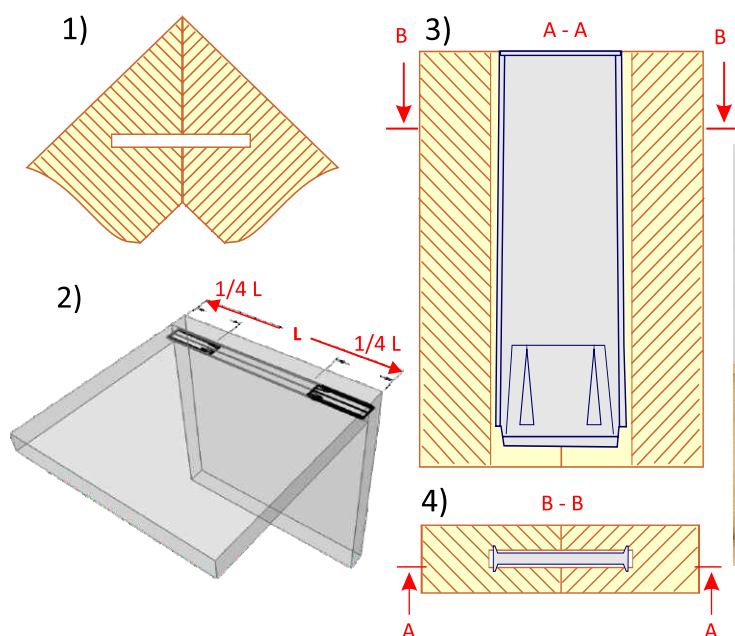
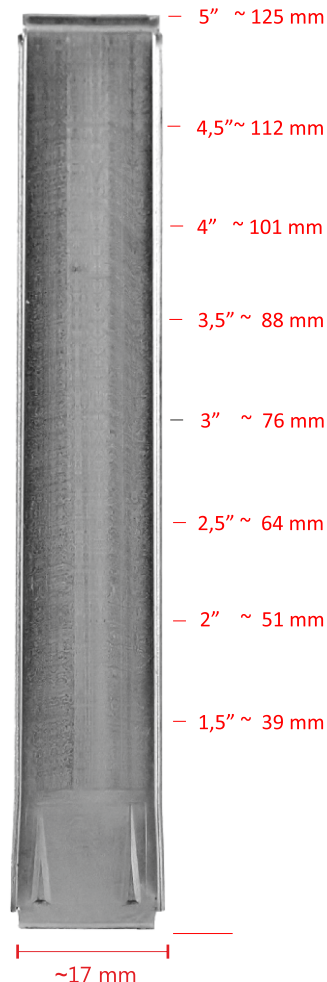
1,5" - 2" - 2,5" - 3" - 3,5" - 4" - 4,5" - 5"

The design of BIZON ZD nails:

After numerous trials and user consultations, we have refined the design of the ZD joint nail so that they perfectly fulfil their task:

- they are easily inserted into any type of wood
- they tightly pull the connected boards together due to their convergent shape and flaring at one end.

ZD



The pneumatic BIZON ZD vibrating hammer for inserting BIZON ZD joint nails

operating pressure : 5,5 - 8 bar

weight: 1,32 kg

- included with the hammer an insulated anti-vibration cover with hand strap

Drawings below depict their use:

- 1) joined boards with a cut for the ZD12 joint nail, made by a 1,6mm thick saw and 10 mm deep in both boards.
- 2) the ZD nail length selection rule.
- 3) the joint cross-section showing the convergent shape of the nail this ensures that the joined boards are pulled tightly together.
- 4) ready connection visible from above.

BizeA Sp. z o.o.

Tomice, ul. Europejska 4, 05-532 Baniocza, Poland

Tel.: +48 22 244 17 00

www.bizea.com.pl

Fastening systems: Staples, nails, tools and machines.