

1 Technical data

		90/32-611C	
Actuation modes:	Contact actuation	Depth adjustment:	No
Height/ length (mm):	198 / 248	Weight (without fasteners)(kg):	1,3
Min/max operating pressure (bar):	5 - 8	Air consumption per driving operation:	0,9 l at 6 bar
Noise characteristics (according to EN12549:1999):	$L_{pA, 1s}$ 81 dB(A)	$L_{WA, 1s}$ 83,6 dB(A)	K pA and K WA 2,5 dB(A)
Vibration value (according to ISO 8662-11:1999):	a_{hd} 1,63 m/s ²	K_a 0,44 m/s ²	
Fasteners	Staple 90		
Length (mm):	15 - 32		
Wire diameter (mm):	1,05 x 1,25		
Crown width (mm):	5,7		
Scope of delivery	Pneumatic nailer, General operating instructions, device-specific information, Allen key		

2 Safety advices



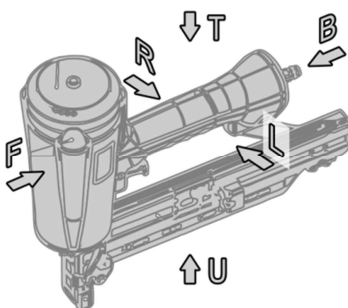
Risk of most severe injuries from nailers!

Any person operating the nailer must have read and understood both the following device-specific information as well as the General operation instructions for pneumatic nailers! Always have both documents ready!



Operating the device without knowing the General operating instructions is forbidden!
Resulting problems extinct any possible claims against the manufacturer.

3 Safe resting position

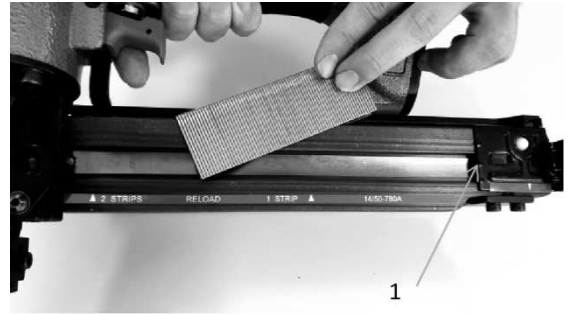


- Whenever not in use, safely put down the device on its **left or right** side according to adjacent symbol picture (see Chap. 1.3 of General operating instructions).
- Do **not** put down the device on another side.
- Also when putting down or lifting up, never point the driving nose at persons or animals.

F	<i>front</i>	B	<i>back</i>
L	<i>left</i>	R	<i>right</i>
T	<i>top</i>	U	<i>underside</i>

4 Filling the magazine

- Ensure that nailer and fasteners are compatible (Chap. 1) with each other.
- Check fasteners for proper condition.
- Pull pusher 1 backwards and engage. Insert staple rod into the magazine from above and push forward. Disengage the pusher and push it forward.



5 EU Declaration of conformity

The BeA GmbH, manufacturer or importer, address as on cover sheet, declares under sole responsibility this product's conformity with all relevant provisions of the EU Machine Directive 2006/42/EG. The following standards are applied:
EN ISO 12100:2010 (Machine safety); ISO 11148-13:2017-11 (Hand-held non-el. machines - Fastener driving tools);
EN 12549:1999+A1:2008 (Noise measuring for driving tools); ISO 8662 (Vibrations at driving tools).



Dr. Jörg Dalhöfer, CEO



Joachim Bauer, Documentation responsible